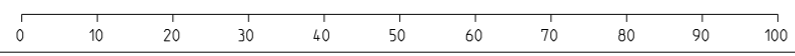
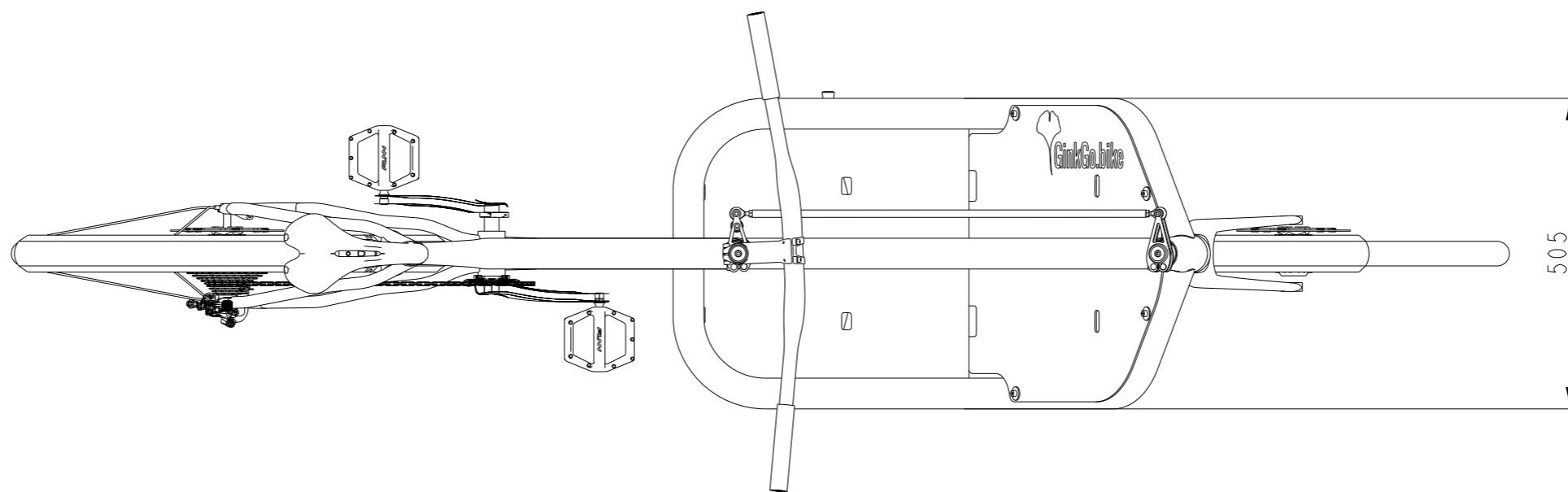
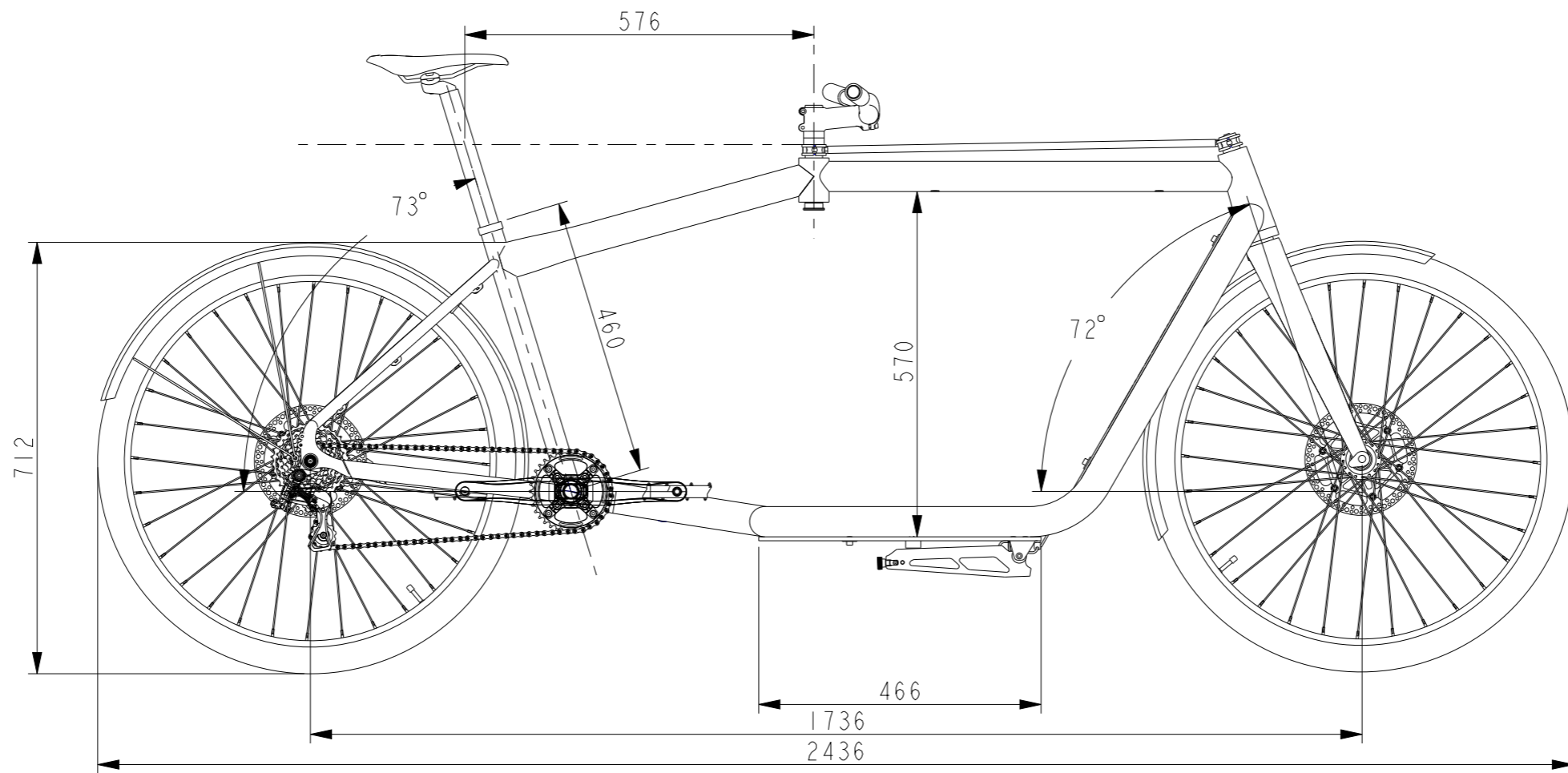

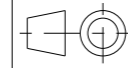


ISSUE	CHANGE ORDER	CHANGE	DATE	CHANGED BY	APPROVED
01					



MATERIAL EN6061 T6		NAME Flat Bed				
		WEIGHT g (ONLY FOR INFORMATION) 15000				
PAPER A3	DRAWN BY & DATE MNo 2023-01-17	PROJECTION 	SCALE 0.100	STATE 1	FLAT_BED	ISSUE SHEET 1 1(1)